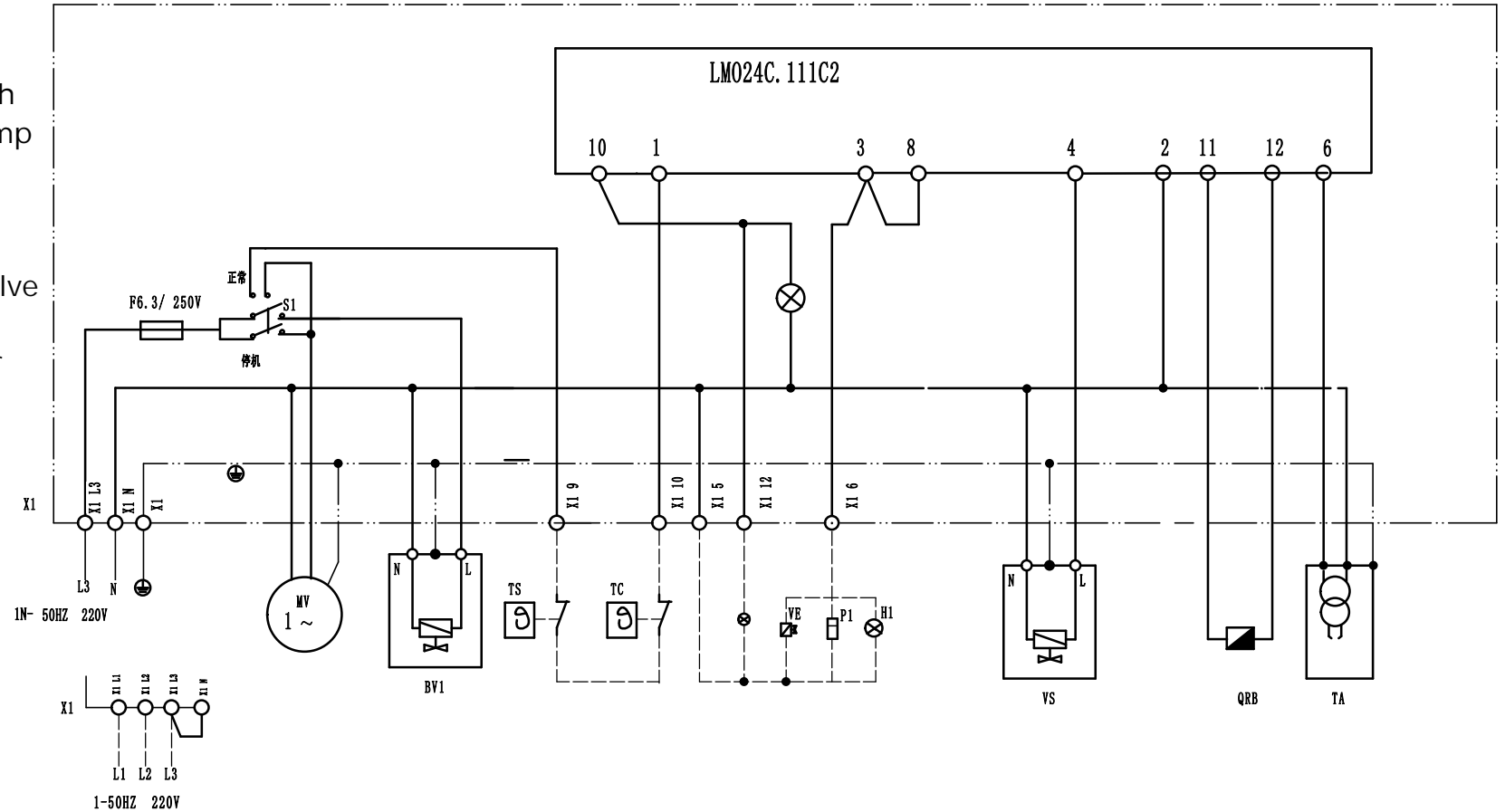


- S1** Run/blowback switch
- AL** Accident lockout lamp
- H1** Run indicator lamp
- BV1** Oil return valve VS
- Safety valve
- VE** External solenoid valve
- QRB** Photoresistor
- TA** Ignition transformer
- TS** Safety thermostat
- TC** Boiler thermostat
- MV** Fan motor
- P1** Timer
- LM024** Control box



ONE STAGE FIRE

制图	王园全	20220214	LM024电气原理图
校核			
郑州博纳热能设备有限公司			